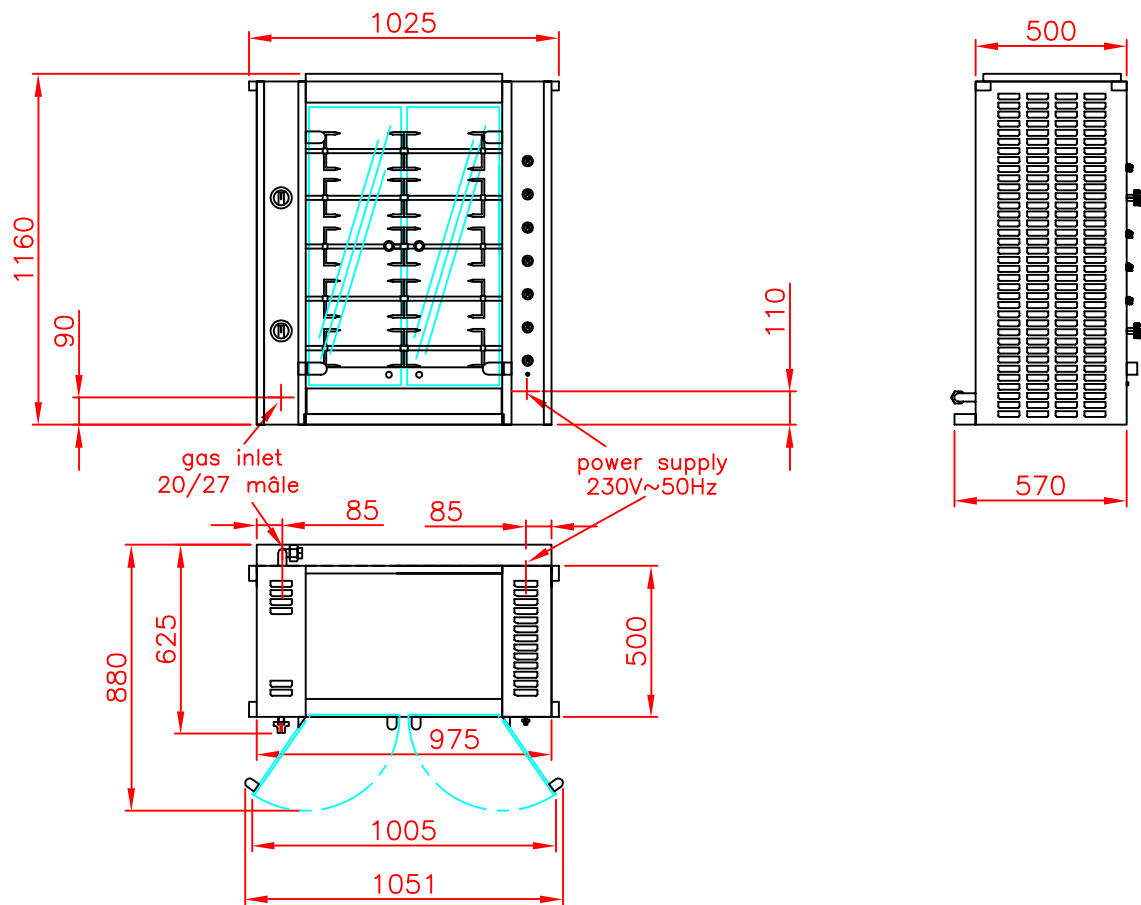


Technical data

GRANDES FLAMMES MILLENIUM STANDARD or LUXE MODELS REF: 975-5GS or 975-5GLN or 975-5GLI GAZ



CHARACTERISTICS

Weight: 140 Kg, Weight packed without base cabinet: 195 Kg

Weight packed with base cabinet: 285 Kg

Capacity: 10/15 chickens, 5 ajustable spits

Black enamel and stainless steel for rôtissoirie réf: 975-5GS (standard)

Black enamel and brass or stainless steel trim for rôtissoirie réf: 975-5GLN (luxe)

Stainless steel and brass or stainless steel trim for rôtissoirie réf: 975-5GLI (luxe)

Power supply: 230V~50Hz , lenght of the cable: 2 meters

Electrical power 0,35 kW as follows:

_5 motors of 30W, 1 halogen lamp of 200W

Gas power: 20 kW

Consumption: natural gas 2,12 m³/h, propane gas: 1,55 kg/h

OPTIONS: spécific colours, base cabinet, heating base cabinet with doors or drawers, hose, protective roof, gas connection

OPTIONS, ACCESSOIRES: spits, vertical spit system, prongs, spit mover, gas lighter, grills, trays.